

Fig. 7: PRESTIGE Solo 60 Internal Components

Item	Part #	Description
1	PTRKIT124	Heat Exchanger Body
2	PTADPT07	Vent Outlet/ Combustion Air Inlet Adapter
3	PTRKIT115	Polypropylene Vent Pipe
4	PTRKIT122	Supply / Return Temperature Sensor
5	PTRKIT123	Flue Temperature Sensor
6	PGRKIT20	LWCO Pressure Device
7	PSRKIT05	Condensate Drain Assembly
8	PSRKIT06	Boiler Piping - Return Assembly
9	PSRKIT52	Boiler Piping - Supply Assembly
10	PTRKIT119	Polypropylene Condensate Pan

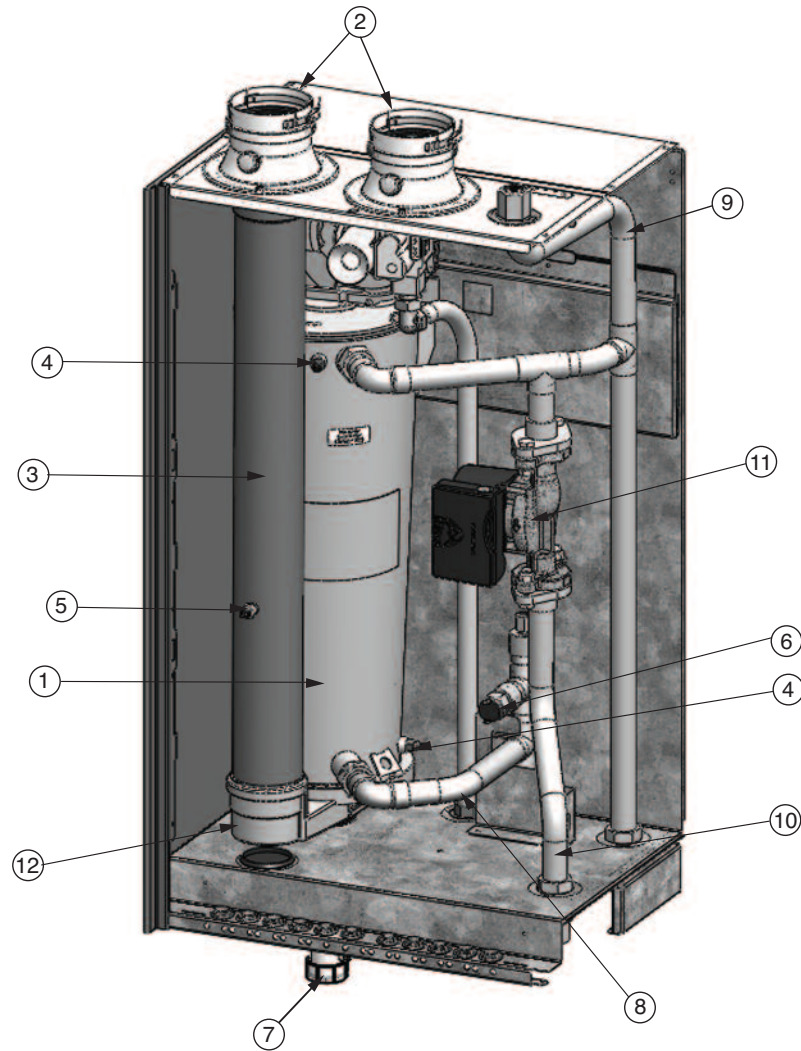


Fig. 8: PRESTIGE Solo 110 Internal Components

Item	Part #	Description
1	PTRKIT124	Heat Exchanger Body
2	PTADPT07	Vent Outlet/ Combustion Air Inlet Adapter
3	PTRKIT115	Polypropylene Vent Pipe
4	PTRKIT122	Supply / Return Temperature Sensor
5	PTRKIT123	Flue Temperature Sensor
6	PGRKIT20	LWCO Pressure Device
7	PSRKIT05	Condensate Drain Assembly
8	PSRKIT06	Boiler Piping - Return Assembly
9	PSRKIT08	Boiler Piping - Supply Long Assembly
10	PSRKIT07	Boiler Piping - Supply Short Assembly
11	HMCIR01	Circulator
12	PTRKIT119	Polypropylene Condensate Pan

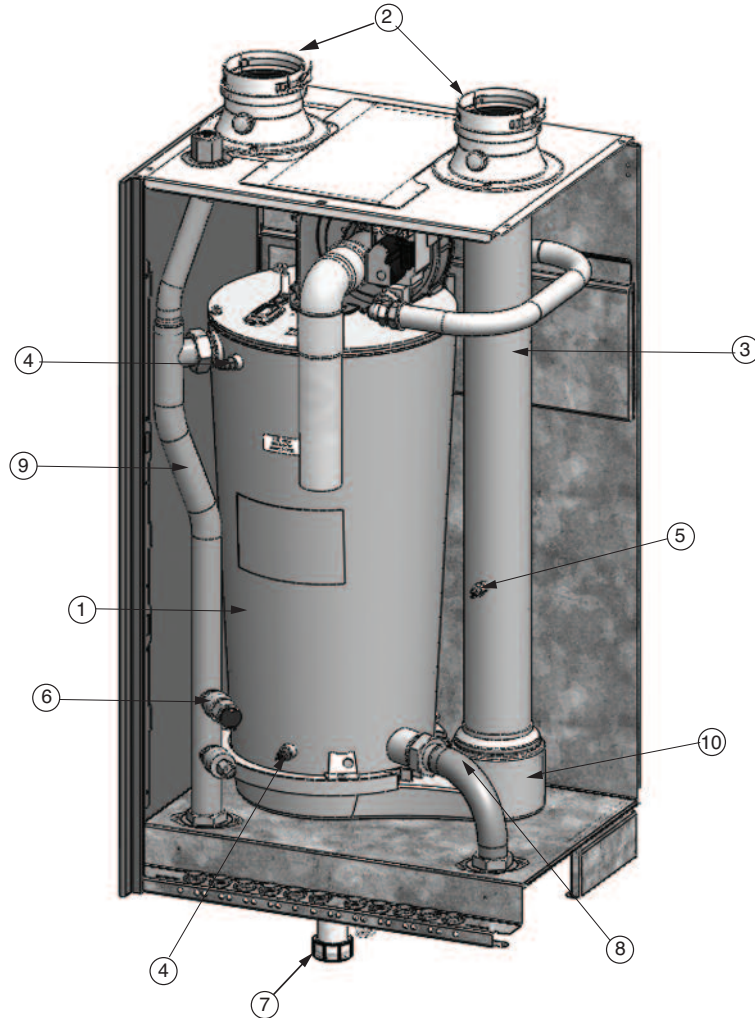


Fig. 9: PRESTIGE Solo 175/250 Internal Components

Item	Part #	Description
1	PTRKIT126	Heat Exchanger Body Solo 175
	PTRKIT127	Heat Exchanger Body Solo 250
2	PTADAPT07	Vent Outlet/ Combustion Air Inlet Adapter
3	PTRKIT116	Polypropylene Vent Pipe
4	PTRKIT122	Supply / Return Temperature Sensor
5	PTRKIT123	Flue Temperature Sensor
6	PGRKIT20	LWCO Pressure Device
7	PSRKIT05	Condensate Drain Assembly
8	PSRKIT28	Boiler Piping - Return Assembly
9	PSRKIT29	Boiler Piping - Supply Assembly
10	PTRKIT120	Polypropylene Condensate Pan

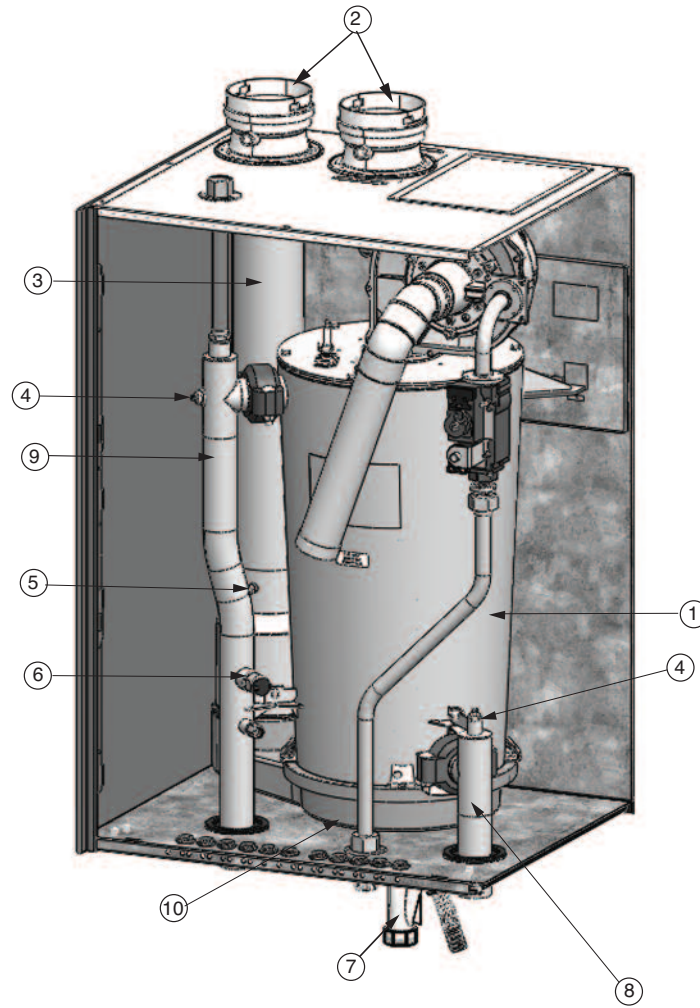


Fig. 10: PRESTIGE Solo 399 Internal Components

Item	Part #	Description
1	PTRKIT128	Heat Exchanger Body
2	PTADPT08	Vent Outlet/ Combustion Air Inlet Adapter
3	PTRKIT117	Polypropylene Vent Pipe
4	PSRKIT47	Supply / Return Temperature Sensor
5	PTRKIT123	Flue Temperature Sensor
6	PGRKIT20	LWCO Pressure Device
7	PSRKIT05	Condensate Drain Assembly
8	PSRKIT48	Boiler Piping - Return Assembly
9	PSRKIT49	Boiler Piping - Supply Assembly
10	PTRKIT121	Polypropylene Pan

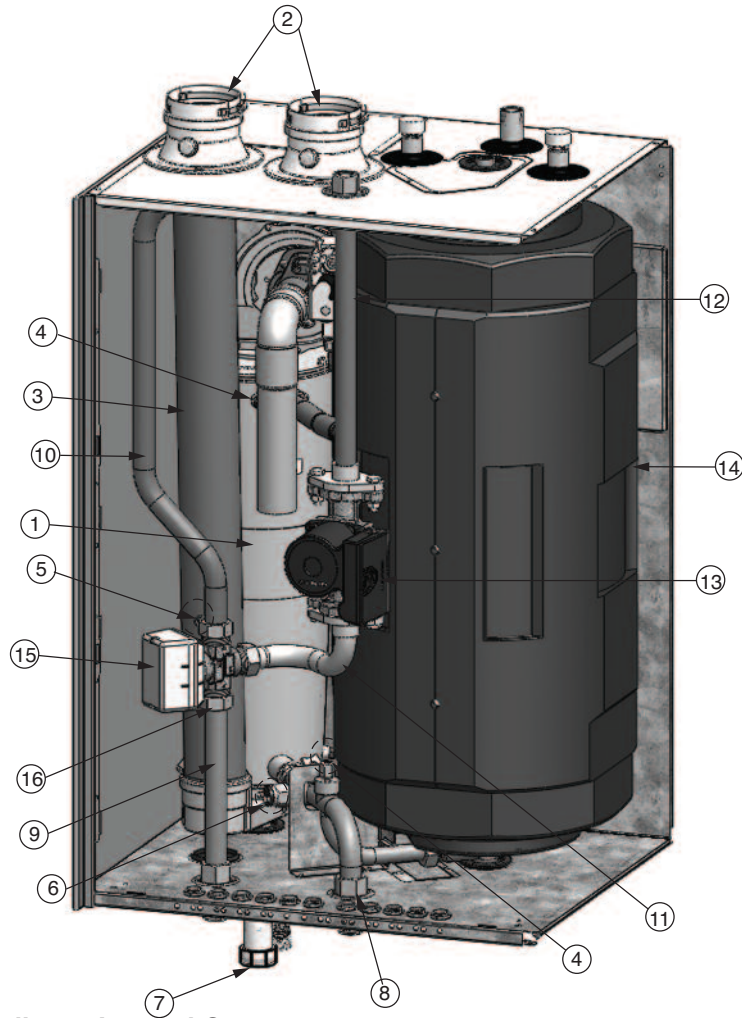


Fig. 11: PRESTIGE Excellence Internal Components

Item	Part #	Description
1	PTRKIT124	Heat Exchanger Body
2	PTADPT07	Vent Outlet/ Combustion Air Inlet Adapter
3	PTRKIT118	Polypropylene Vent Pipe
4	PTRKIT122	Supply / Return Temperature Sensor
5	PTRKIT123	Flue Temperature Sensor
6	PGRKIT20	LWCO Pressure Device
7	PSRKIT05	Condensate Drain Assembly
8	PSRKIT59	Boiler Piping - Return Assembly
9	PSRKIT60	Boiler Piping - Supply Outlet Assembly
10	PSRKIT61	Boiler Piping - Supply Long Assembly
11	PSRKIT54	Boiler Piping - Supply Short Assembly
12	PSRKIT62	Boiler Piping - Relief Valve Assembly
13	HMCIR01	Circulator
14	PSRKIT56	EXCELLENCE Water Heater Tank
15	PSRKIT57	Valve Actuator
16	PEVLV01	Valve Body