

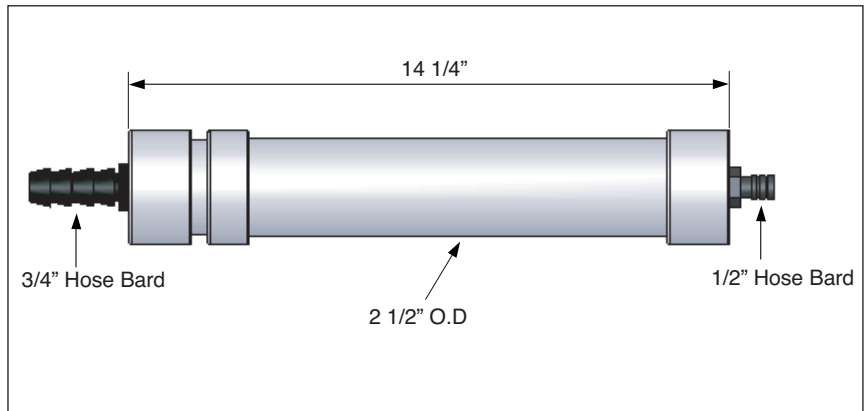
# Condensate Neutralizer Kit



**Kit Parts Number: PSNEU01**

## Parts List:

1. (1) Condensate Neutralizer
2. (1) Hose Clamp (not shown)
3. (2) Mounting Strap (not shown)
4. (2) Mounting Screw (not shown)



## NOTICE

**Condensate produced by the Prestige Boiler typically has a pH value between 3 and 4. The condensate neutralizer kit will treat the condensate to a safe pH value above 6.5. In those areas where local codes may prohibit the discharge of untreated condensate into the public sewage system, the installer should check compliance when using the condensate neutralizer kit.**

## Instructions:

1. Attach the boiler condensate drain hose to the 3/4" barbed fitting on the condensate neutralizer. Secure using the hose clamp provided.
2. Mount the condensate neutralizer horizontally near the unit, and higher than the condensate pump or drain. Secure using the mounting straps and screws provided.
3. Attach 1/2" ID vinyl tubing (supplied by others) to the 1/2" barbed fitting on the condensate neutralizer. Secure using a hose clamp or wire tie. (supplied by others)
4. Run the 1/2" vinyl tubing to the condensate pump or drain.

## NOTICE

**If the condensate drain outlet of the Prestige Boiler is lower than the drain, the installer must provide a condensate pump.**

## NOTICE

**The depletion of the neutralization media depends upon the operation of the Prestige Boiler. To determine the necessary refill interval, check media level several times during the first year of operation. As a minimum the media should be replaced annually to maintain a pH value above 6.5 using Triangle Tube Refill Kit Part Number PSNEU02.**