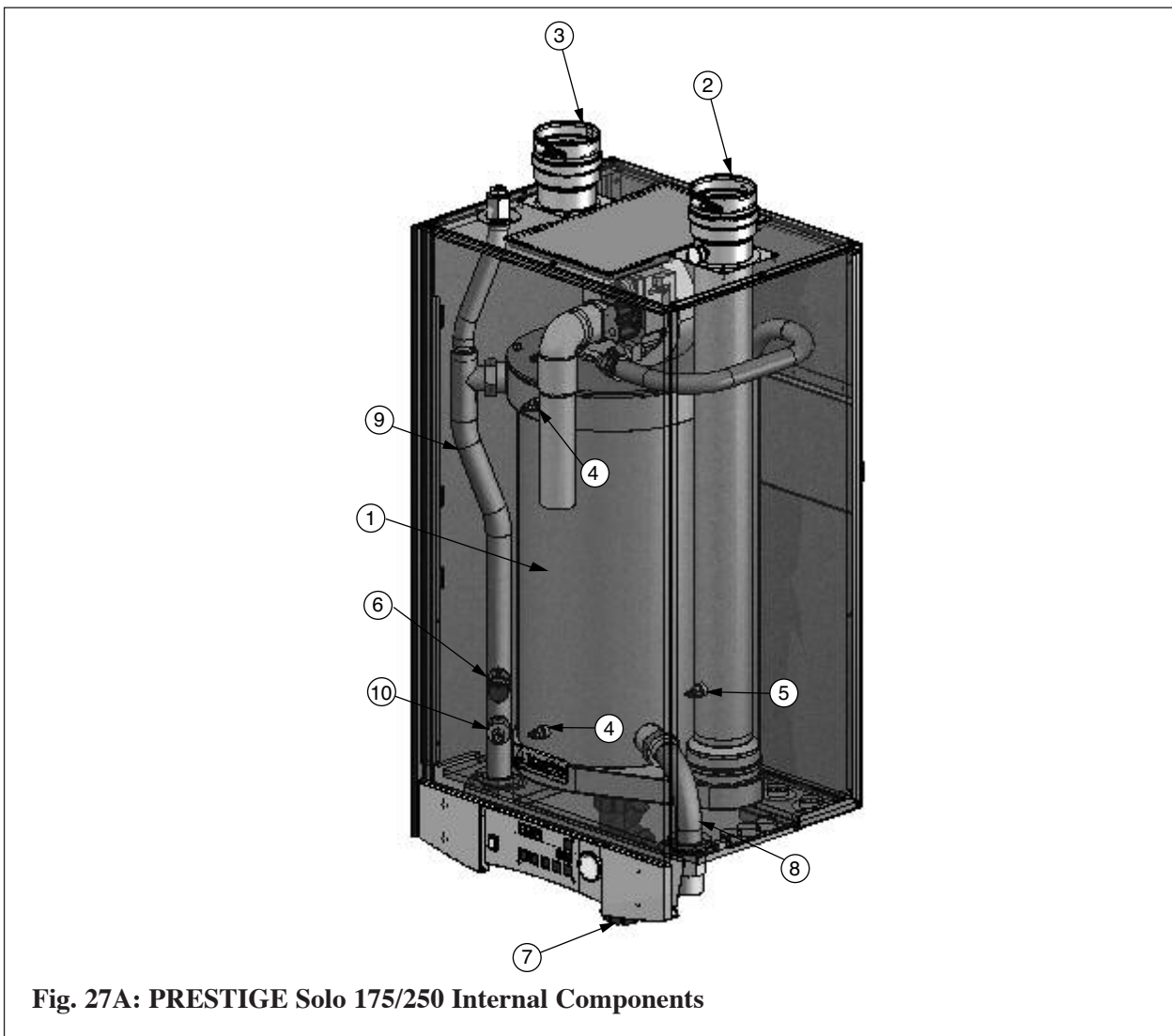


Fig. 27: PRESTIGE Solo 60 Internal Components

Item	Part #	Description
1	PSRKIT01	Heat Exchanger Body
2	PSRKIT02	Vent Outlet Adapter
3	PSRKIT03	Combustion Air Inlet Adapter
4	PSRKIT04	NTC Sensor (NTC1, NTC2 and NTC5)
5	PGRKIT20	LWCO Pressure Device
6	PSRKIT05	Condensate Drain Assembly
7	PSRKIT06	Boiler Piping - Return Assembly
8	PSRKIT52	Boiler Piping - Supply Assembly
9	PSRKIT17	Pressure Gauge and Fitting



**Fig. 27A: PRESTIGE Solo 175/250 Internal Components**

Item	Part # PRESTIGE Solo 175/250	Description
1	PSRKIT25	Heat Exchanger Body Solo 175
	PSRKIT26	Heat Exchanger Body Solo 250
2	PSRKIT27	Vent Outlet Adapter
3	PSRKIT03	Combustion Air Inlet Adapter
4	PSRKIT04	Supply & Return NTC Sensor (NTC1, NTC2)
5	PSRKIT34	Flue NTC Sensor (NTC5)
6	PGRKIT20	LWCO Pressure Device
7	PSRKIT05	Condensate Drain Assembly
8	PSRKIT28	Boiler Piping - Return Assembly
9	PSRKIT29	Boiler Piping - Supply
10	PSRKIT17	Pressure Gauge and Fitting

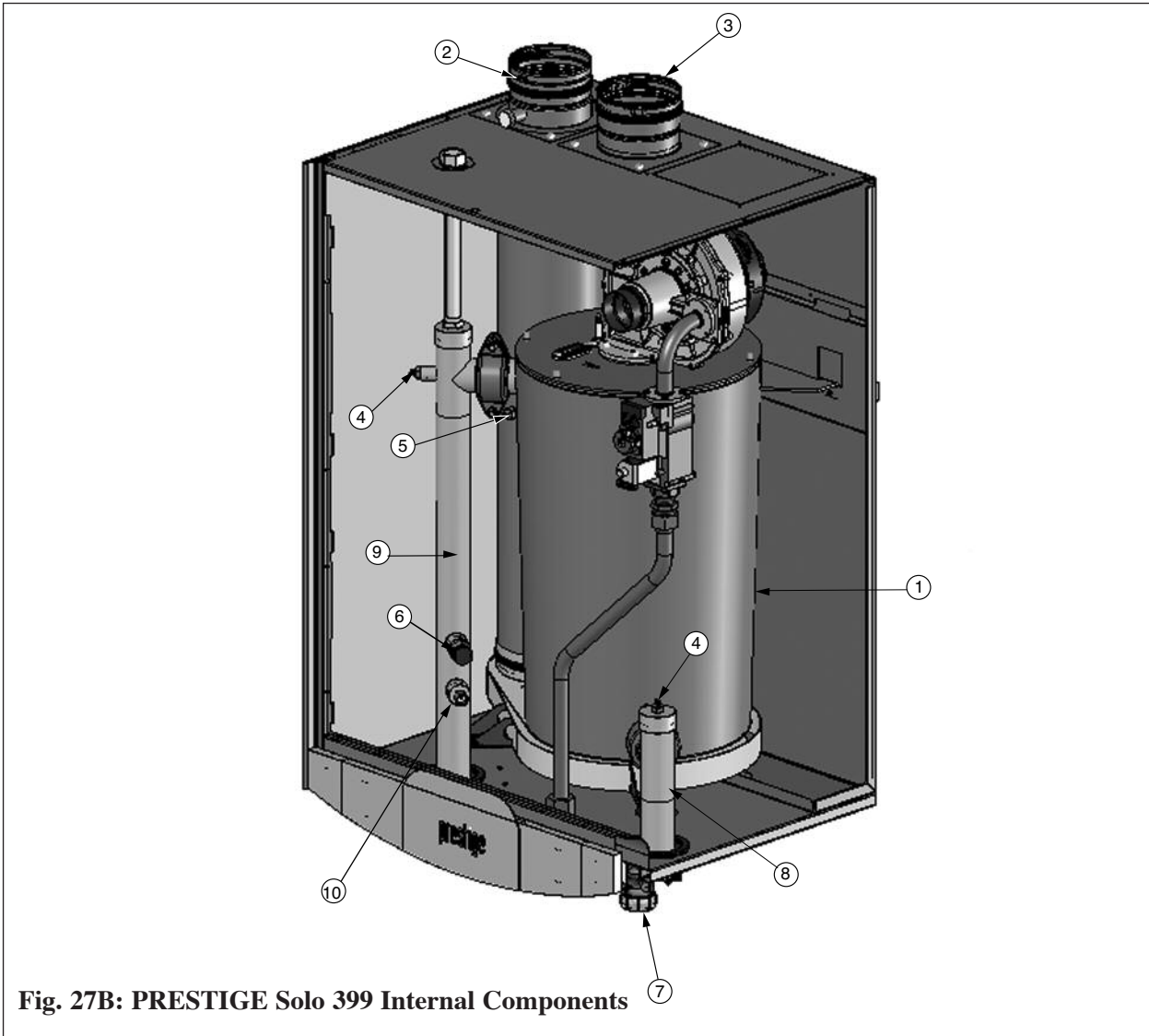


Fig. 27B: PRESTIGE Solo 399 Internal Components

Item	Part # PRESTIGE Solo 399	Description
1	PSRKIT44	Heat Exchanger Body
2	PSRKIT45	Vent Outlet Adapter
3	PSRKIT46	Combustion Air Inlet Adapter
4	PSRKIT47	Supply & Return NTC Sensor (NTC1, NTC2)
5	PSRKIT34	Flue NTC Sensor (NTC5)
6	PGRKIT20	LWCO Pressure Device
7	PSRKIT05	Condensate Drain Assembly
8	PSRKIT48	Boiler Piping - Return Assembly
9	PSRKIT49	Boiler Piping - Supply Assembly
10	PSRKIT17	Pressure Gauge and Fitting